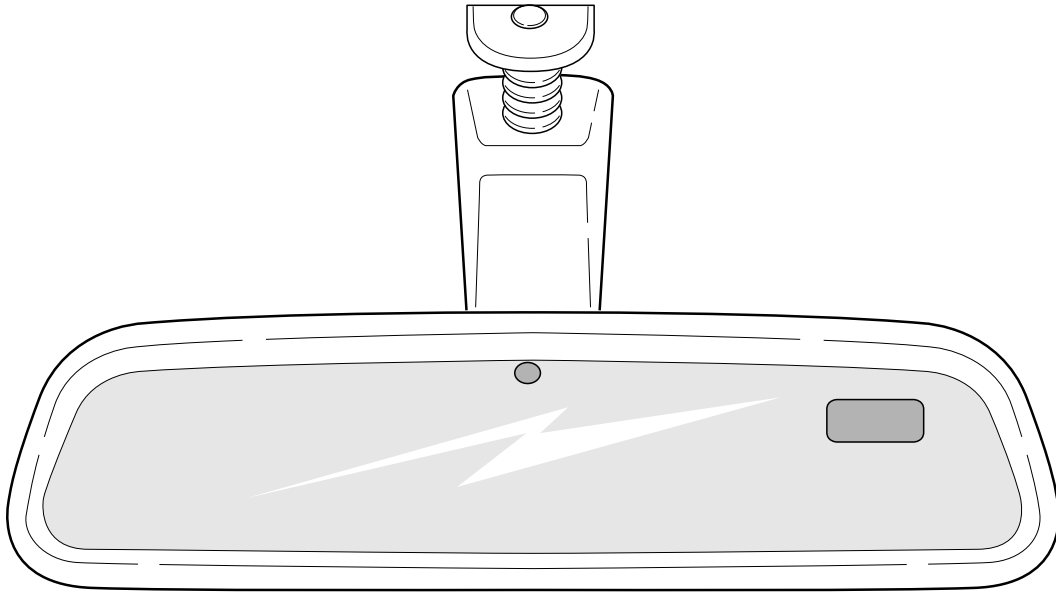




# BMW Parts and Accessories Installation Instructions



F 46 0533 2W

---

## Compass interior rear-view mirror retrofit kit with automatic anti-dazzle system

**BMW 3 Series (E46) after 9/98**

**BMW 5 Series (E39) after 3/99**

**BMW 7 Series (E38) after 9/98**

**BMW X5 (E53) from series start**

**Only with SA 521, SA430 or SA431, without SA875**

Wiring harness 51 16 0 001 231 must also be ordered for E46 cars without SA430 or 431

Retrofit/Installation kit No. 51 16 0 028 300 / 51 16 0 028 301

## Contents

Section	Page
1. Important information on the installation work .....	9
2. To install the compass interior rear-view mirror .....	10
3. To adjust and calibrate the compass interior rear-view mirror .....	10
4. Maps of the world with compass zones .....	11

## **1. Important information on the installation work**

The retrofit kit is only for use in the BMW dealer organisation.

### **Installation time**

The installation time is approx. 1/2 hour.

The installation time may vary depending on the condition of the car and the equipment in it.

### **Target group**

The target group for these installation instructions is staff trained on BMW cars with specialist knowledge of body electrics.

### **Work**

All servicing, repair and installation work on BMW cars is completed at your own risk.

All the work is to be completed with the help of current BMW

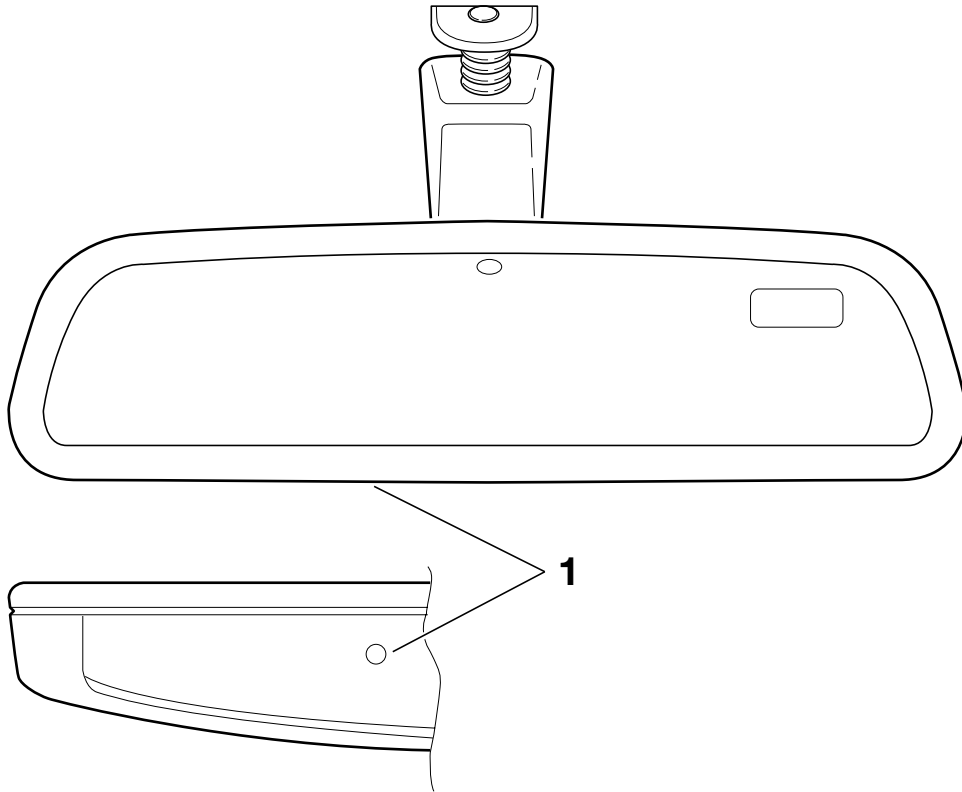
- Repair manuals,
- Circuit diagrams,

in a rational order using the specified tools (special tools) and in compliance with current health and safety regulations.

## 2. To install the compass interior rear-view mirror

Replace the existing interior rear-view mirror with the new compass interior rear-view mirror (see TIS RA 51 16 060).

## 3. To adjust and calibrate the compass interior rear-view mirror



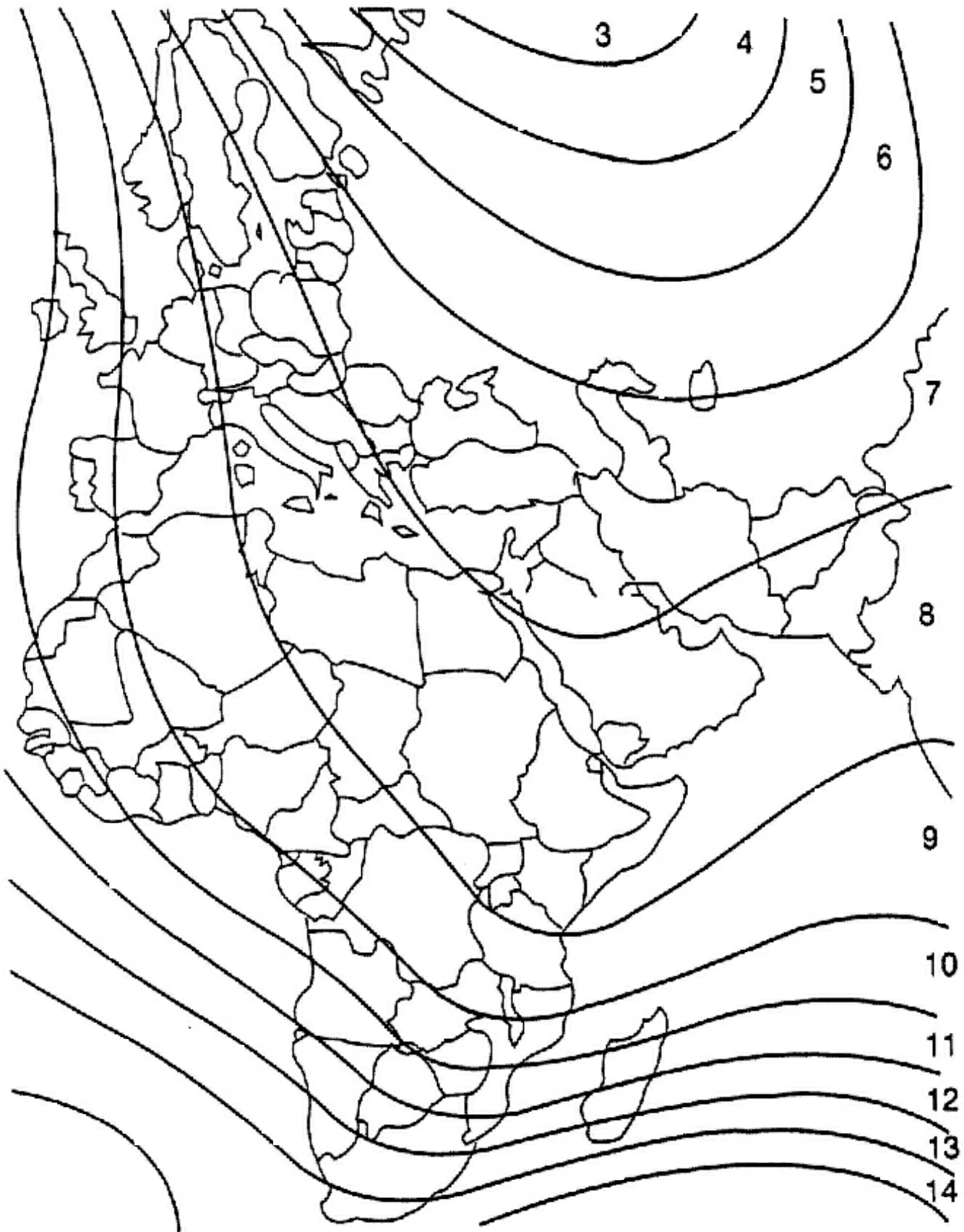
F 53 0374 2W

The compass interior rear-view mirror must be adjusted and calibrated after installation.

- Step 1 To calibrate the compass interior rear-view mirror
- Switch on the ignition.
  - If "C" does not appear on the display press the setting knob (1) on the underside of the mirror (see Figure) for 6 – 7 seconds. "C" must then appear on the display.
  - Drive a complete circle at a maximum speed of 7 kph (min. 360°) until a direction is shown on the display.
  - The compass is now ready for use.
- Step 2 To set the appropriate compass zone
- Press the setting knob (1) for 3 – 4 seconds. A number will appear on the display. To change the zone setting press the setting knob (1) until the required zone appears on the display (see following maps of the world with compass zones).
  - The compass will be ready for use again after a period of approx. 10 seconds.
  - The default setting of the compass zone is 8.

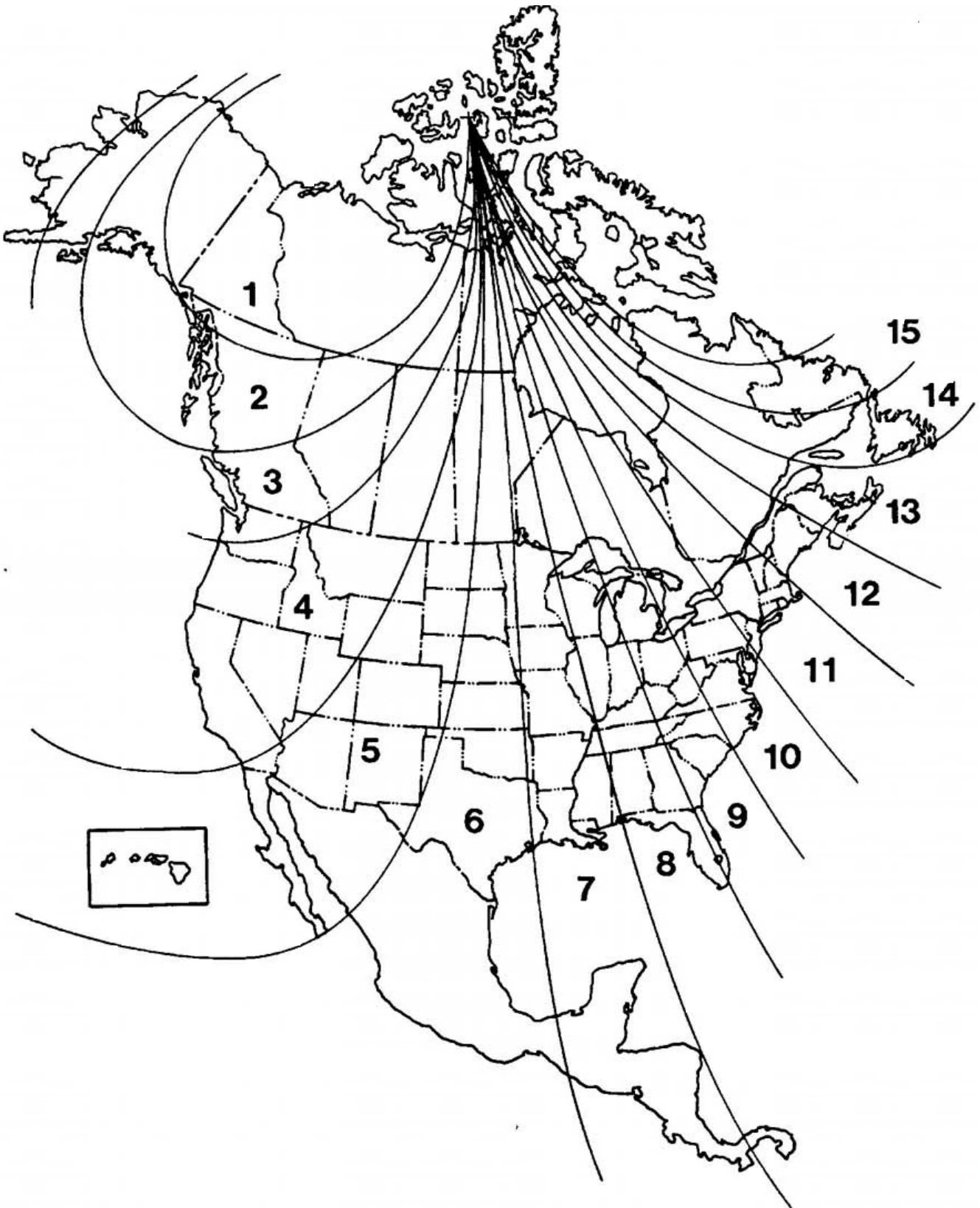
#### 4. Maps of the world with compass zones

Europe, Africa and Western Asia



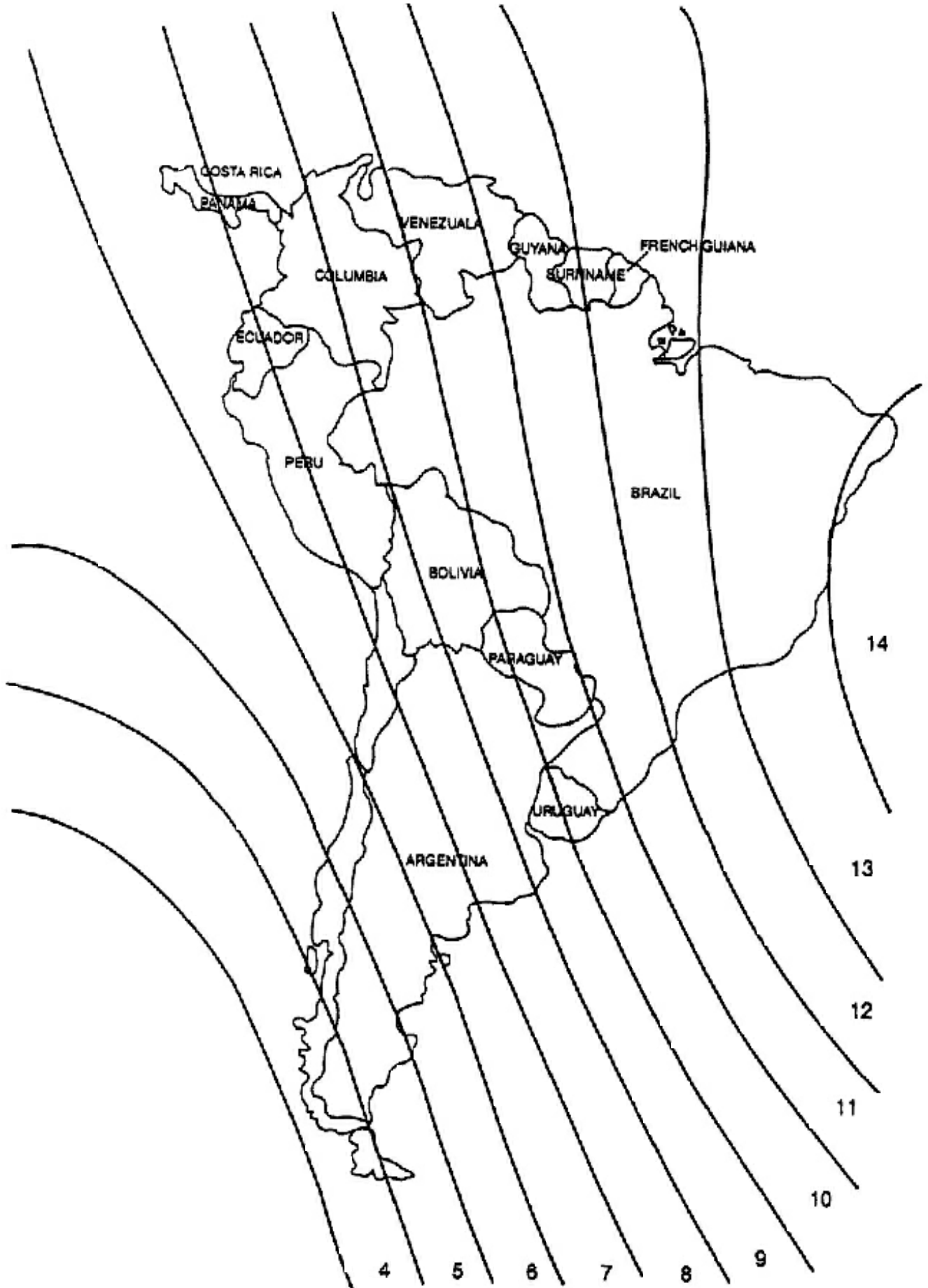
4. Maps of the world with compass zones

Canada, North and Central America



#### 4. Maps of the world with compass zones

##### South America



4. Maps of the world with compass zones

Eastern Asia and Australia

